

SPLASHGUARD™

The SplashGuard™ is an innovative gobo that fits on a mic stand to reduce splash between instruments while recording. When the SplashGuard is used alone with a boom stand it acts as a pinpoint gobo that can get into tight places to attenuate unwanted sound from bleeding into the microphone.

When the SplashGuard is combined with a microphone, it becomes a dedicated acoustic shield that moves with the microphone. Using the included extension bar to adjust the microphone position the SplashGuard helps block some of the sounds arriving at the rear of the microphone.

The SplashGuard attaches to a mic stand using the supplied threaded mic stand adapter and knurled ring. An open slot allows the cable to pass through the back and the microphone to be articulated for optimal positioning. The included microphone extension bar allows for additional placement options. the splashguard works with most microphones and stands.

Features

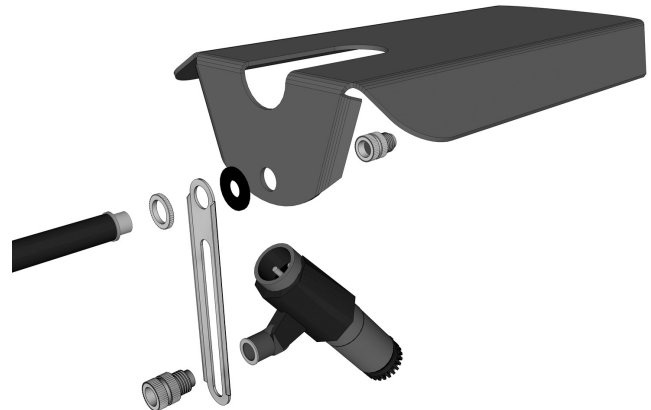
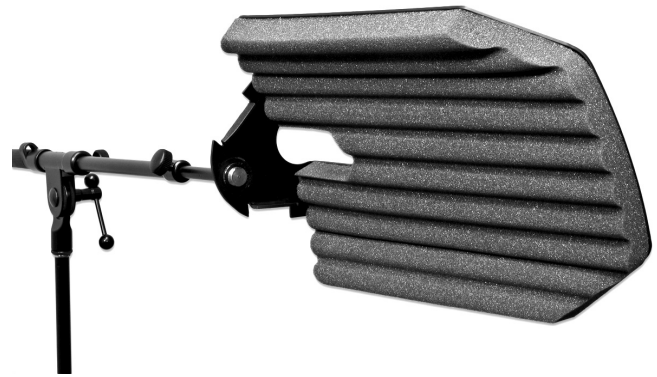
- High density acoustic foam liner
- High impact ABS outer shell
- Innovative rear access cable port

Benefits


- Controls ambient space around the mic
- Can be used as either a gobo or a microphone shield
- Delivers a cleaner, more articulated recording

Cool Stuff

- Light-weight design is stable on all mic stands
- Extension bar allows for different mic positions
- Convenient size to fit between stringed instruments



SPECIFICATIONS:

BAFFLE MATERIAL	SP-9010 ABS plastic shell, 3/16" (4.5mm) thick Black with textured finish
ABSORBER MATERIAL	1" High-density open cell acoustic foam, 2.2 lb/per cu-ft, charcoal colour
DIMENSIONS	14 3/16" (360 mm) long x 9.75" (248mm) wide x 1.875" (48mm) deep
ORDER NUMBER	P300-0110-00
MOUNTING HARDWARE	Threaded mic stand adapter, knurled ring, extension bar
	 The Splashguard is made from 75% recycled materials

