


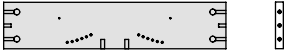


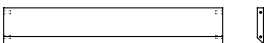
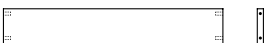
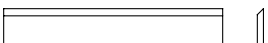
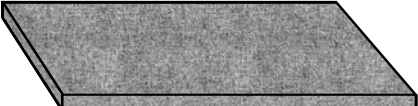

## OWNER'S MANUAL



**Congratulations** on purchasing the Primacoustic FlexiBooth™. The FlexiBooth is a full size 24" x 48" wall-mounted acoustic vocal booth that opens to surround the talent and create a 16 cubic foot voice-over zone. The high-density 6lb acoustic panels are highly absorptive throughout the voice range and depending on how wide the doors are opened, various levels of ambiance may be added or subdued to suit the recording. Features wood composite enclosure with easy to clean black melamine surface and fabric wrapped Broadway™ fiberglass panel.

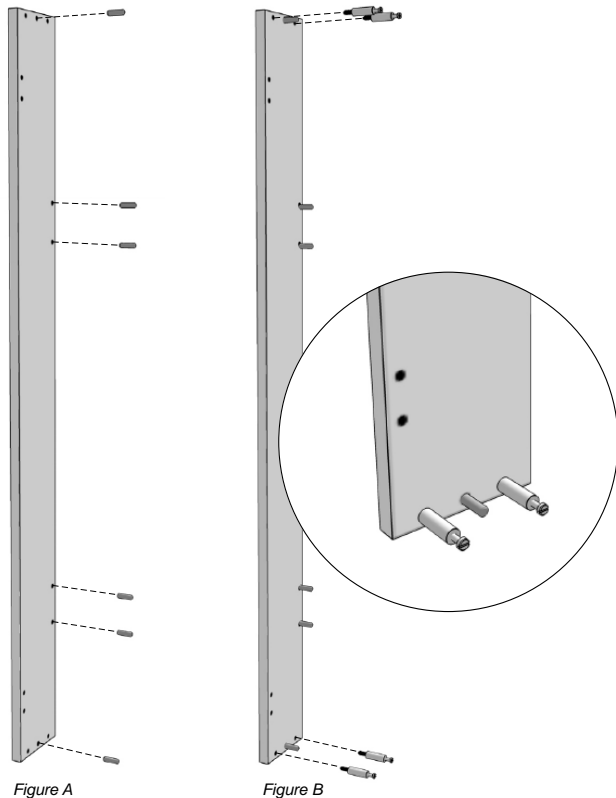
Please take a few minutes to read this installation manual. It will give you step by step assembly and mounting instructions. Please refer to [www.primacoustic.com](http://www.primacoustic.com) for various placement options and benefits. Should you have any questions or comments, we invite you to send an email to: [info@primacoustic.com](mailto:info@primacoustic.com).

Before beginning assembly, please take a moment to familiarize yourself with the box contents. It will include:

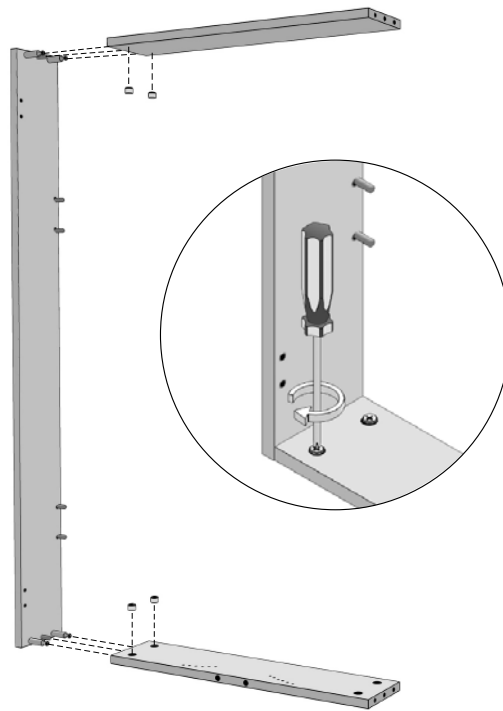
BOX CONTENTS		HARDWARE BAG	
(QTY)	Description:	(QTY)	Description:
(1)	 Top section 22.5" x 4.75" Black (574mm x 120mm)	(4)	Metal pins
(1)	 Bottom section 22.5" x 4.75" Black (574mm x 120mm)	(8)	Cam-locks
(2)	 Sides 48" x 4.75" Black (1221mm x 121mm)	(8)	Cam-pins
(2)	 Front doors 48" x 11.9" Black (1221mm x 302mm)	(12)	Wooden dowels
(1)	 Beveled upper cross support	(10)	8 x 1-1/4" Wafferhead Phillips screws
(1)	 Lower cross support	(22)	6 x 1/2" screws
(1)	 Beveled wall cleat	(2)	4 x 1/2" screws
(1)	 Fabric wrapped fiberglass panel 46.75" x 22.5" (1187mm x 574mm)	(2)	Heavy duty 2" screws
(2)	 Fabric wrapped fiberglass panel 46" x 9.75" (1169mm x 250mm)	(2)	Plastic drywall anchors
		(2)	Magnetic door catch.
		(4)	Door hinge
		(2)	Door glide

# ASSEMBLY INSTRUCTIONS

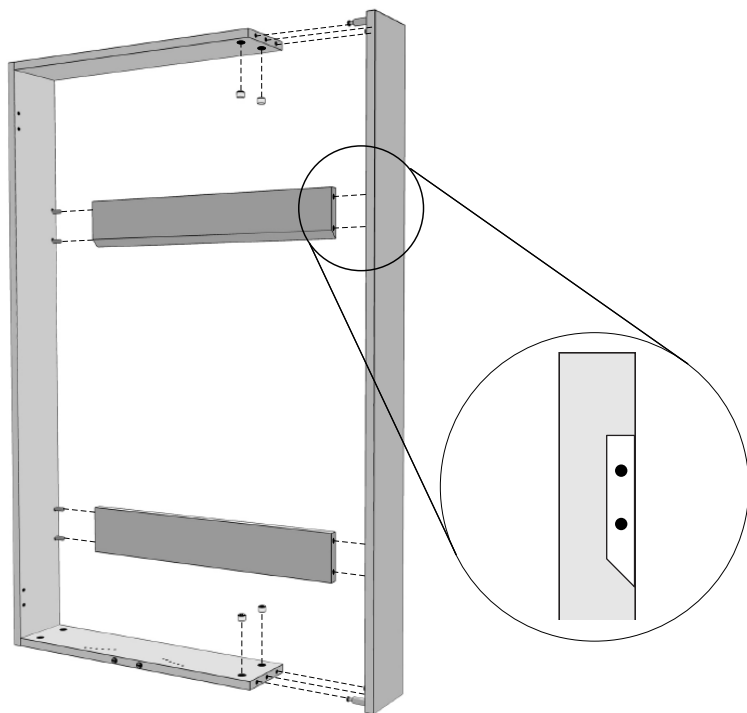
- 1** Use a hammer to lightly tap six wooden dowels into each side section as shown in *Figure A*.  
Use a screw driver to thread four cam-pins into the holes at the ends as shown in *Figure B*.



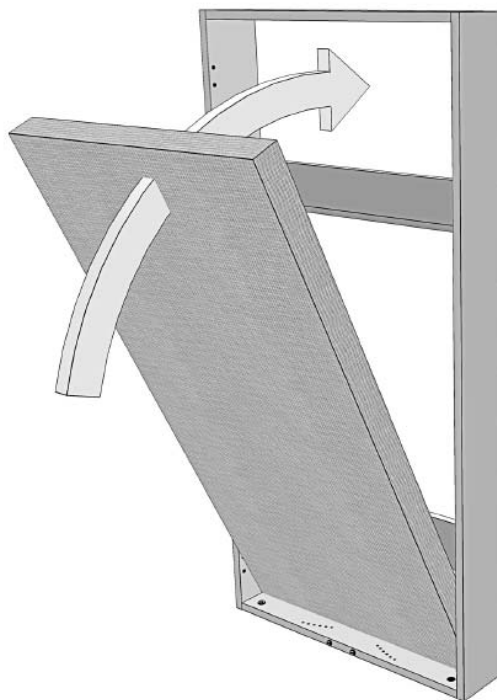
- 2** Push two cam-locks into the large pre-drilled holes on the top and bottom sections. Ensure the open side of the cam-lock, marked with an arrow head, is facing toward the edge so it can mate with the cam-pin.
- Guide the bottom and top sections onto the dowels and cam-pins. Turn the cam-locks clockwise one quarter turn. Do not overtighten.



- 3** Guide the upper and lower cross supports onto the dowels along the rear edge.
- Push two cam-locks into the top and bottom sections and guide the side section onto the dowels and cam-pins. Turn the cam-locks clockwise one quarter turn. Do not overtighten.

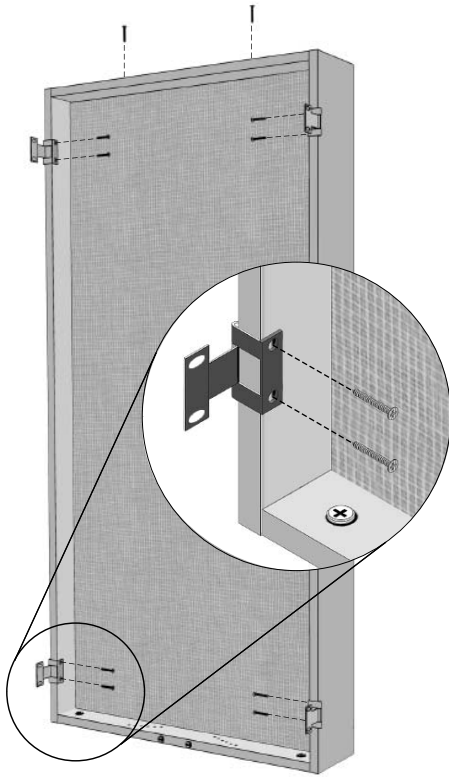


- 4** Insert the larger fiberglass acoustic panel into the frame. Push firmly to set the panel back against the cross supports.

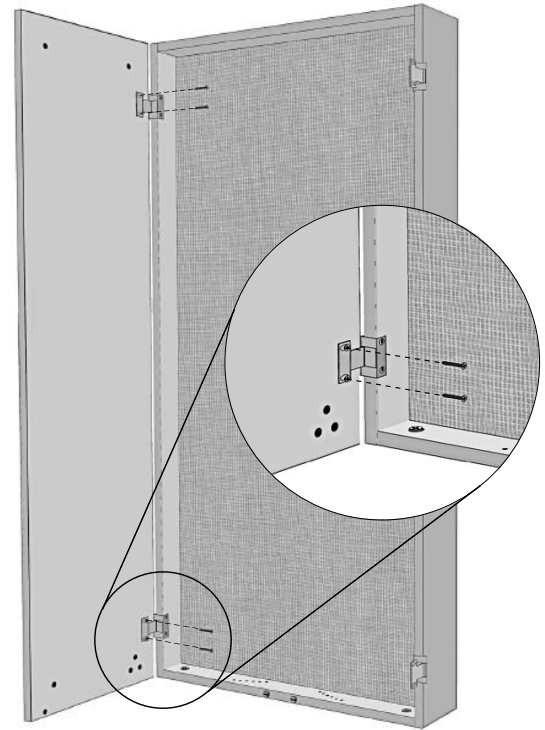


# ASSEMBLY INSTRUCTIONS

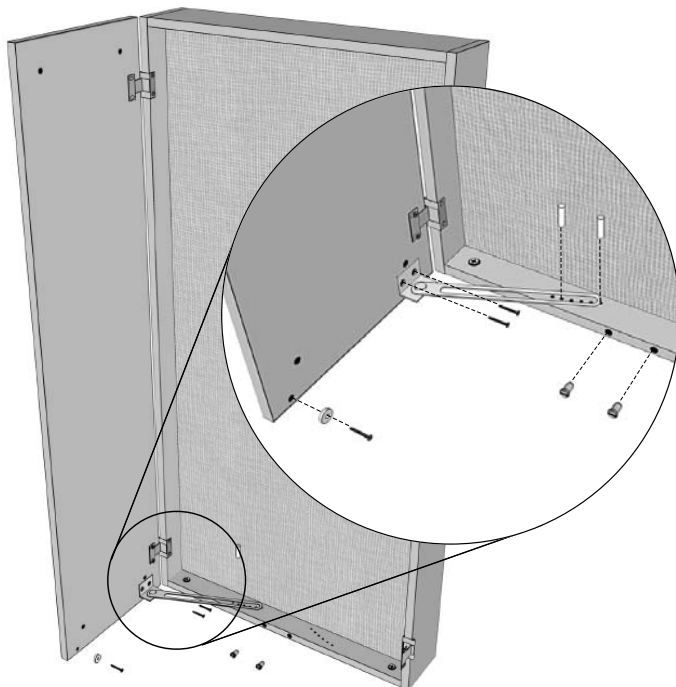
- 5** Drive two 1-1/4" Wafferhead Philips screws through the pre-drilled holes in the top section to secure the fiberglass panel in place.  
Attach the hinges to the frame using eight 6x1/2" screws.



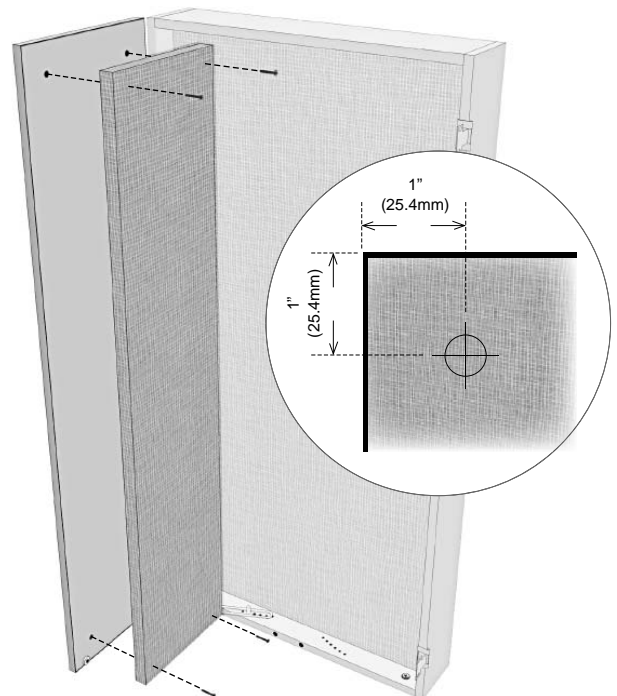
- 6** Attach the left door to the hinges using four 6x1/2" screws.



- 7** Attach the left door glide hardware using two 6x1/2" screws. Use two metal pins as required in the series of holes to set the door position.  
Attach the magnetic catch to the left door using one 4x1/2" screw.  
Use a hammer to lightly tap the magnetic latch into the front edge of the bottom section.



- 8** Use four 1-1/4" Wafferhead Philips screws to attach the smaller fiberglass panel to the left door. To align the screws with the pre-drilled holes measure in one inch (25.4mm) from the corners of the fiberglass panels. Do not over tighten screws. Repeat steps six, seven and eight for the right door.



# WALL MOUNTING INSTRUCTIONS

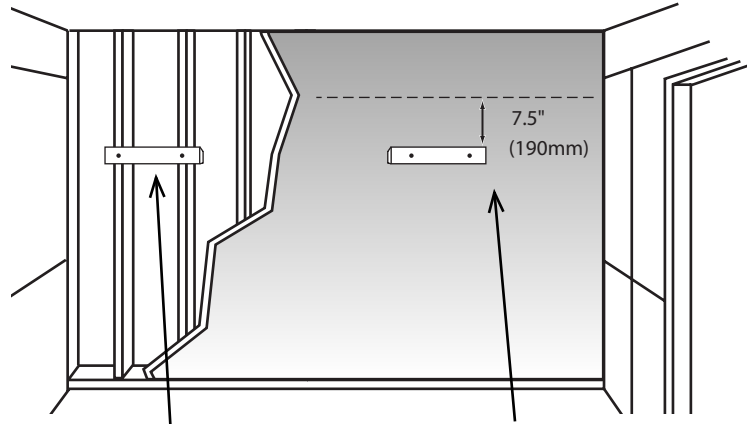
## WALL MOUNTING INSTRUCTIONS

The FlexiBooth™ is mounted by means of a French cleat (wall cleat). The wall cleat is screwed directly to the studs or secured using plastic anchors. Once the wall cleat is in place the FlexiBooth is lifted up and it's beveled cross support locks together with the wall cleat creating a strong and secure hold. The wall cleat can be screwed directly into the wall studs or mounted to hollow core drywall using the included plastic anchors. For masonry and cement block use an appropriate anchor made for that material.

- 1 Begin by drilling two 1/8" holes in the wall cleat for the heavy-duty 2" screws.



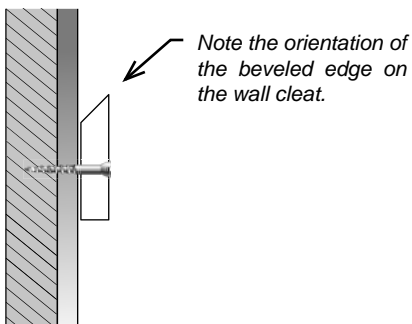
- 2 Select the wall location where you would like to hang your FlexiBooth. Use your bubble level to mark a horizontal line where the top of the FlexiBooth will be. Measure down from that line 7.5 inches (195mm) and mark a second horizontal line. Mount the wall cleat on this lower line.



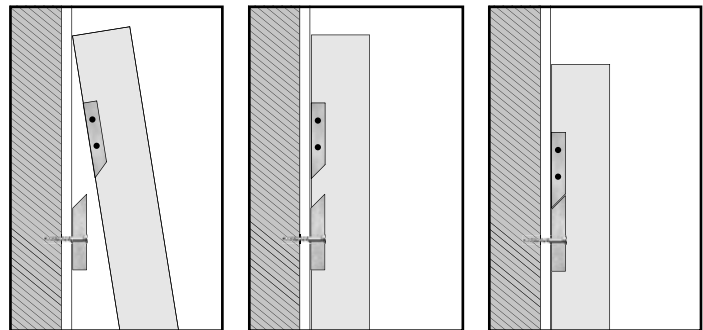
Mount wall cleat directly to studs or use anchors.

Top of wall cleat is 7.5" (195mm) below the top of the FlexiBooth.

- 3 Use a screwdriver or cordless drill to fasten the wall cleat to the studs, or to appropriate anchors. Ensure the beveled side is up (see diagram).



- 4 With the help of a second person, lift the completed FlexiBooth up and gently rest the beveled cross support onto wall cleat. The opposing beveled edges will lock together and safely support the FlexiBooth on the wall.



## WARRANTY

Please inspect panels immediately after purchase and before mounting. Primacoustic Broadway acoustic panels are guaranteed to be free of manufacturing defects for a period of thirty (30) days after purchase. In the unlikely event that a defect is uncovered, please call 604-942-1001 to obtain an RA number (Return Authorization number) from Primacoustic before the thirty (30) day warranty period expires. Once you have obtained an RA number you must return the product, freight prepaid, within fifteen (15) days after the date the RA number is issued. Please return the product in the original packaging (or another, affording an equal degree of protection) with all of the following: (1) RA number clearly marked on the returned package; (2) a receipt or bill of sale showing proof of purchase from an authorized retail seller; and (3) a written note describing the defect and including your name, address, telephone number and the applicable RA number. You are solely responsible for all shipping and insurance costs for returning the product to Primacoustic, and you will not be reimbursed or compensate for any loss or damage incurred during return shipping. Primacoustic will at its discretion repair or replace the panel. Should the panel be no longer available, Primacoustic reserves the right to exchange this with a panel of similar performance and value. Due to different dye lots, Primacoustic cannot guarantee exact color match. This Warranty shall solely extend to the original owner and is limited to manufacturing defects and excludes any damage due to wear and tear, abuse, misuse, misapplication, color fading or deterioration due to prolonged exposure to ultra violet light, smoke, humidity or other environmental factors. It is understood that the use and suitability of Broadway is entirely the responsibility of the buyer or specifying engineer and as such, these parties agree to hold Primacoustic, or it's associated company, and/or officers, harmless from any responsibility whatsoever other than what is clearly outlined in this warranty.