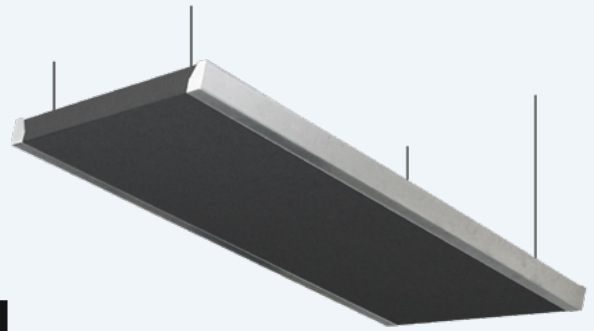




Installation Manual

BROADWAY Stratus Studio Cloud



Congratulations on purchasing the Stratus cloud kit from Primacoustic. The Stratus is an easy to assemble acoustic cloud system that will absorb powerful primary reflections above your listening position and look great for years to come. The Stratus may be installed in one of two ways. Suspended installation uses tie-wire to hang the cloud. Flush installation attaches the Stratus directly to the ceiling. Which method you use will depend on the ceiling height and layout of your room.

Please take a few minutes to read through this assembly & installation manual. It will give you a list of included parts, as well as step by step assembly instructions and installation options. Please refer to www.primacoustic.com for general room acoustics information and further details. Should you have any questions or comments, we invite you to send an email to: info@primacoustic.com.

Box Contents:

Before beginning installation, please take a moment to familiarize yourself with the box contents.



Broadway Acoustic Panels
48" x 24" x 2" (1,219mm x 610mm x 51mm)
Actual appearance may vary, depending on model purchased

Side Rails

2x



Crossbars

2x



Link Brackets

2x

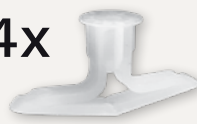


8x

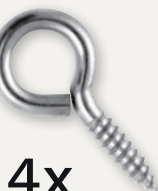


1/2" (12mm) Screws

4x



Butterfly Anchors



4x

Eye-Screws

8x



1" (25mm) Bolts

8x



Nuts and Locking Washers

4x



SlipNot

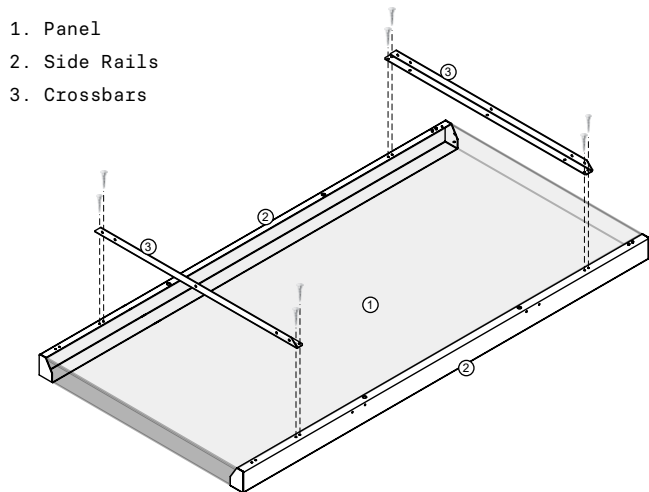
Tools & materials required:

- Drill with 5/16" (7.9mm) and 1/8" (3.2mm) bits
- Phillips Screwdriver
- Wire Cutters
- Bubble Level
- Hammer and Nail
- Ladder

Installation - Suspended

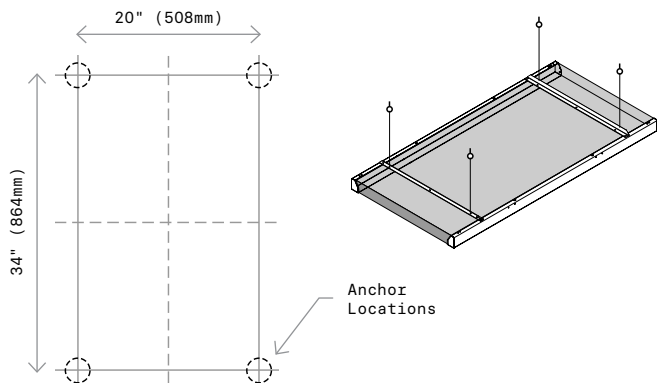
1. Attaching the Hardware

Rest each panel on a clean, flat surface with the fabric side facing down. Slide the two aluminum side rails over the long edges of the panel with pilot holes facing up. Attach the two crossbars between the side rails using the eight 1/2" (12mm) Phillips screws.



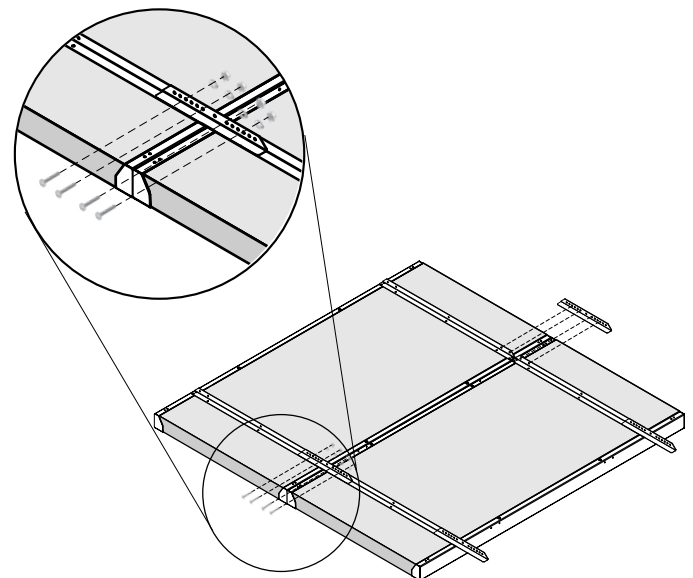
2a. Suspending a Single Cloud

The ceiling anchors should be installed directly above the mounting points on the cloud, even if you intend to hang the panel at an angle. The diagram below shows the spacing of the mount points. A template made from some scrap card may help with marking these on the ceiling.

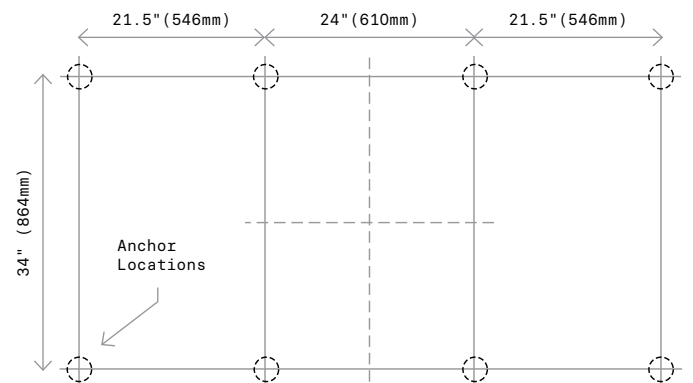


2b. Linking Multiple Clouds Together

Stratus cloud kits may be linked together using the supplied 8" linking brackets. Attach each additional kit together at the crossbars using the two link brackets, eight bolts, eight locking washers and eight hex nuts.

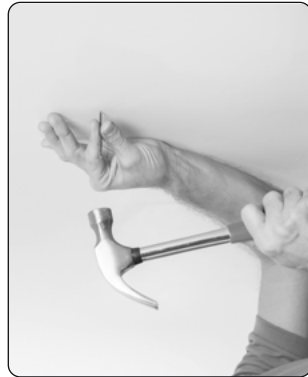


As with single clouds, ceiling anchors should be installed directly above the mounting points on the clouds. The diagram below shows the spacing of the mount points.



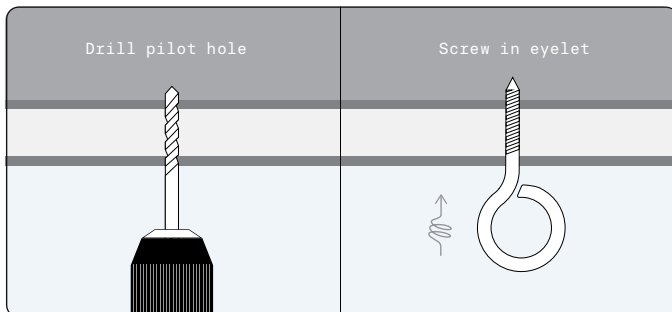
3. Installing Ceiling Anchors

If a stud-finder is not available, probe your ceiling to find out if there is a solid or hollow backing. Using a hammer, tap a nail into each ceiling anchor location to determine the backing. If the backing is solid continue to the next step. If the backing is hollow, skip to step 5.



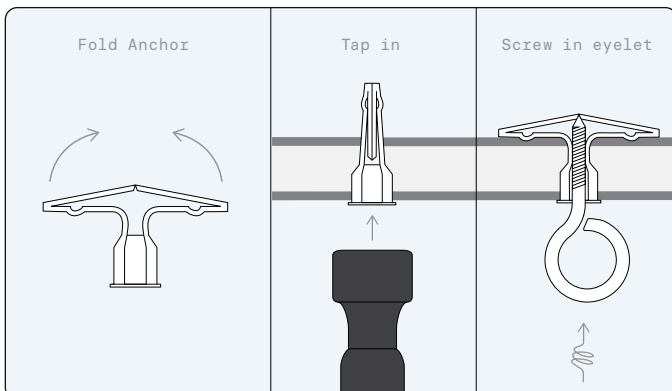
4. Installing in a Solid Backed Ceiling

If one or more of your ceiling anchor locations is on a solid backing, such as a joist, you don't need to use the included butterfly anchors. In such a case, use a 1/8" drill bit to make a pilot hole and screw the eyelet-screw in directly.



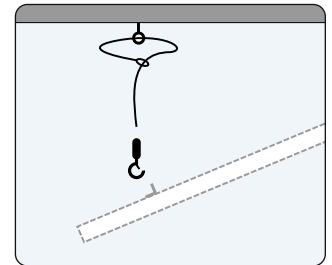
5. Installing in a Hollow Backed Ceiling

If the backing above your ceiling is hollow, use a 5/16" (7.9mm) drill bit to make a hole for the butterfly anchor and follow the steps below. Repeat the anchor and eyelet-screw installation until all your suspension points are ready.

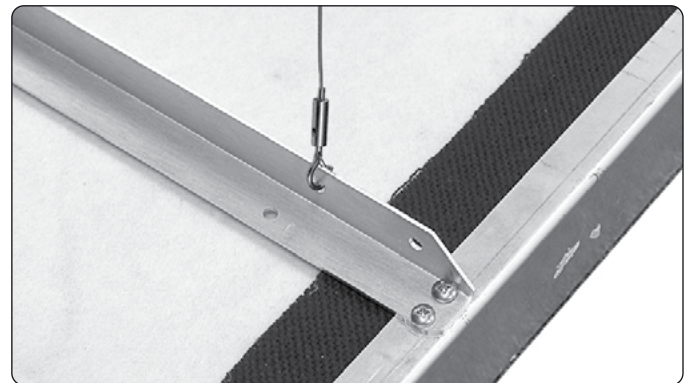


7. Attaching the Ceiling Eyelets

Remove the hook from the SlipNot cable by pushing in the center pin. Feed the wire through the ceiling eyelet, then through the looped end of the wire. Reattach the hook by pushing the wire through the center pin.

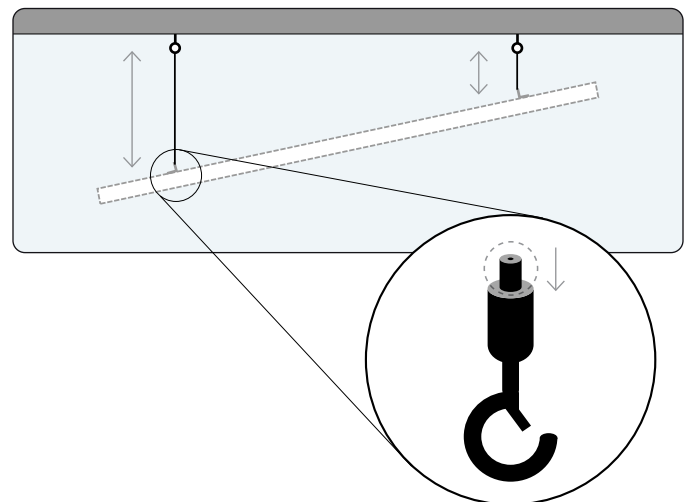


With the help of another person, lift one end of the Stratus or array up and clip the SlipNot hooks through the holes in the crossbar (single cloud suspension) or the link bracket (linked cloud suspension).



8. Adjusting the Suspension Height

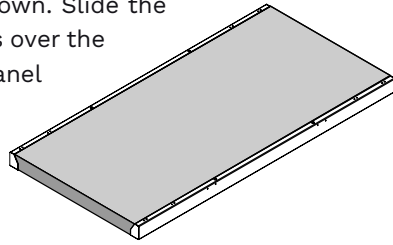
Push the center pin of the SlipNot and pull the cable to adjust the height and level the Stratus cloud. Trim any excess cable with the wire clippers.



Installation - Flush

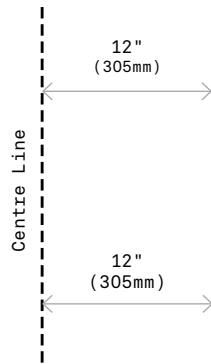
1. Attaching the Hardware

Rest the panel on a clean, flat surface with the fabric side facing down. Slide the two aluminum side rails over the long edges of the panel with pilot holes facing up. Do not attach the crossbars to the side rails at this stage.

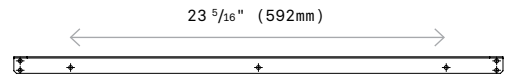
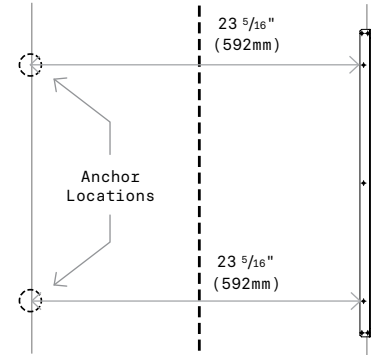


2. Mounting the Crossbars

With a straight edge, mark a pencil line on the ceiling where you would like the centre of the cloud to sit. Measure 12 inches (304.8mm) to the right of the center mark and mark a pencil line parallel to the center line.



After the first crossbar is mounted to the ceiling, measure $23 \frac{5}{16}$ " (592mm) across to mark the position of the next pair of anchors.

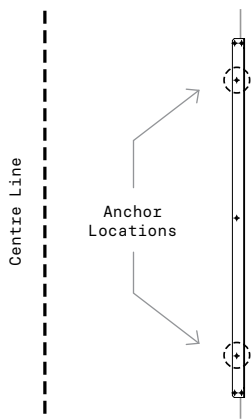
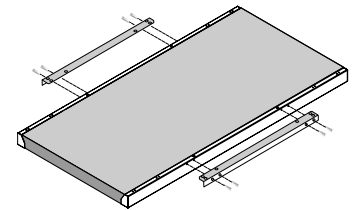


The crossbar itself makes a helpful guide for this, as the distance between the two holes is also $23 \frac{5}{16}$ " (592mm).

Mount the second crossbar in the same way as the first.

3. Mounting the Cloud

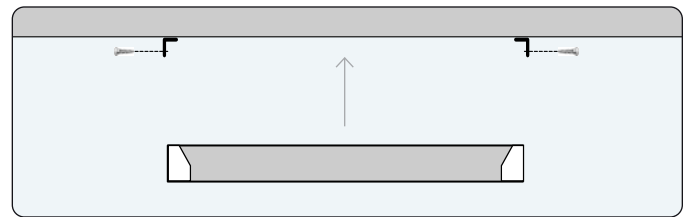
With the help of another person, lift the Stratus kit up to the ceiling. Align the pair of holes on the side rails to the mounted crossbars. Use eight $\frac{1}{2}$ " (12mm) Phillips screws to attach.



Hold the right crossbar up to the pencil line and mark the locations for the anchors.

Follow the instructions in the previous section for installing the ceiling anchors.

NOTE: Use #6 - #14 (3.5mm - 6mm diameter) $\frac{1}{2}$ " (39mm) screws (not included) to fasten the crossbars to the ceiling anchors.



Limited Warranty

Please inspect products immediately after receiving your purchase. Primacoustic acoustic products are guaranteed to be free of manufacturing defects for a period of 3 years after purchase. In the unlikely event that a defect is uncovered, please call 604-942-1001 to obtain a RA number (Return Authorization number) from Primacoustic before the 3 year warranty period expires. Once you have obtained a RA number you must return the product, freight prepaid, within fifteen (15) days after the date the RA number is issued. Please return the product in the original packaging (or another, affording an equal degree of protection) with all of the following: (1) RA number clearly marked on the returned package; (2) a receipt or bill of sale showing proof of purchase from an authorized seller; plus (3) a letter describing the defect. Please include your name, address, telephone number and the applicable RA number. You are solely responsible for all shipping and insurance costs for returning the product to Primacoustic, and you will not be reimbursed or compensated for any loss or damage incurred during return shipping. Primacoustic will at its sole discretion repair or replace the product. Should the product no longer be available, Primacoustic reserves the right to exchange this with a product of similar performance and value. Due to different dye lots, Primacoustic cannot guarantee exact color match. This Warranty shall solely extend to the original owner and is limited to manufacturing defects and excludes damage due to improper installation, freight handling, wear and tear, abuse, misuse, misapplication, color fading or deterioration due to prolonged exposure to ultra violet light, smoke, humidity or other environmental factors. It is understood that the use and suitability of the product is entirely the responsibility of the buyer or specifying engineer and as such, these parties agree to hold Primacoustic, or its associated company, and/or officers, harmless from any responsibility whatsoever other than what is clearly outlined in this warranty.