



Installation Manual

ECOSCAPES

Baffle Suspension Hardware Kit

Congratulations on purchasing your new EcoScapes Baffle Hanging kit from Primacoustic. This kit is designed to be used with our EcoScapes 1" (24mm) thick panels. The kit includes enough hardware for hanging up to four baffles, with a maximum length of 6' (1,829mm). We recommend more than two brackets per baffle if larger than 6' in length.

Please take a few minutes to read this installation manual. It will give you a list of included parts, as well as easy to follow assembly instructions and installation options.

Please refer to www.primacoustic.com for general room acoustics information and further details. Should you have any questions or comments, we invite you to send an email to info@primacoustic.com

Tools & materials required:

- Measuring Tape
- Ladder/Scaffolding
- Drill 3/32" or 1/4" bit
- Screwdriver
- Hammer
- Wire Clippers

Recommended:
PET Panel Hole Punch
E001 0002 00
(Sold Separately)



Box Contents:

Before beginning assembly, please take a moment to familiarize yourself with the box contents.



8x
Stainless Steel Bracket



8x
Bracket Cable Cap & Screw



8x
Bracket Screw Pin



8x
Ceiling Cable End Caps
(Cable Toggle Cap & Ceiling Anchor Cap)



8x
76" Sheathed Aircraft Cable



8x
Loop Attachment
(Optional)

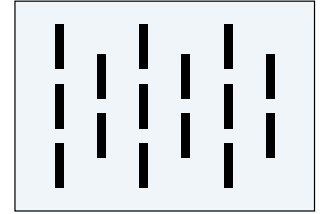
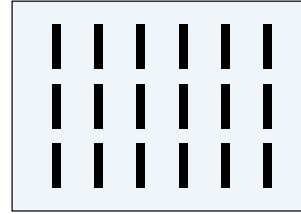


8x
Ceiling Anchor Set
(Ceiling anchor & long pan head screw)

Installation Guidelines

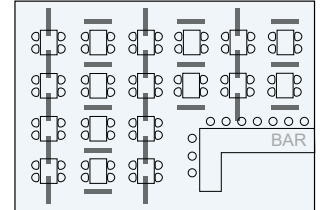
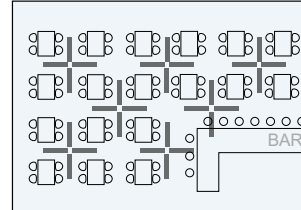
DENSITY

The number of baffles in a given area will determine the rate of sound absorption. This can vary depending on room size and noise level.



PATTERN

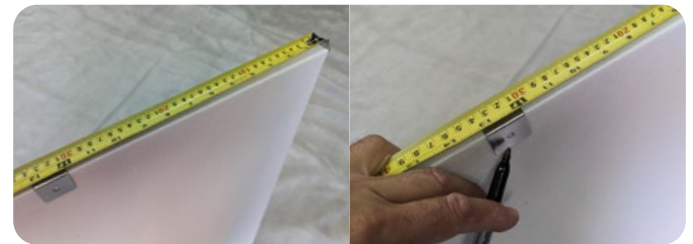
Spread evenly for general sound control or alternate panel direction to absorb sound waves moving in multiple directions. Using a grid like ‘tic-tac-toe’ layout will improve the performance as more random energy will be absorbed in the room. Notice that the baffles are suspended in both X and Y axes so that noise will be captured in both directions.



Installation

1. Baffle Anchor Locations

Measure and mark the long edge of the baffle panel. Bracket should be a minimum of 1' (308mm) in from the panel's short side edge. This distance may vary depending on the length of your baffle panel.



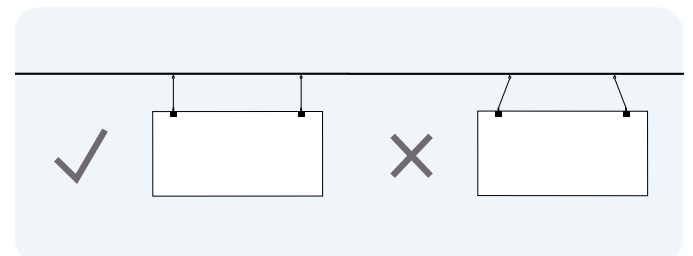
2. Perforate Bracket Holes

Insert a PET hole punch tool into an electric drill or drill press. Place a small scrap piece of PET panel under the baffle panel to be perforated. Keeping the electric drill square to the baffle and on the marks made in step 1, drill straight through the baffle panel into the scrap piece below. Be careful not to go beyond the scrap piece.



3. Ceiling Anchor Locations

Each anchor location should be spaced to match the location marked on the baffle in the previous step. Measure and mark your ceiling for suspension point locations. Pay close attention to where you want the panel to be located. This way the panel anchors will be directly below each ceiling mounting point. All cables should hang straight to create a dead hang.

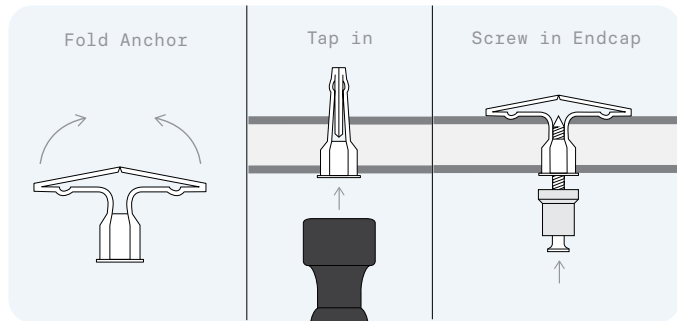


4. Installing Ceiling Anchors

Probe your ceiling to find out if there is a solid or hollow backing. Using a hammer tap a nail into each ceiling anchor location to determine the backing. Depending on the backing, choose one of the following two options:

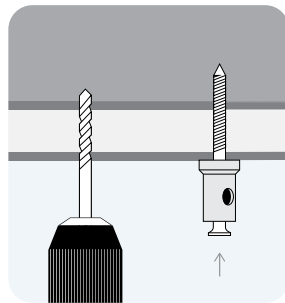
Hollow Backed Ceiling

If your ceiling backing is hollow, use a 1/4" drill bit to make a hole for the butterfly anchor. Attach the ceiling anchor cap to the ceiling anchor using the long pan head screw. *Continue to step 5.*



Solid Backed Ceiling

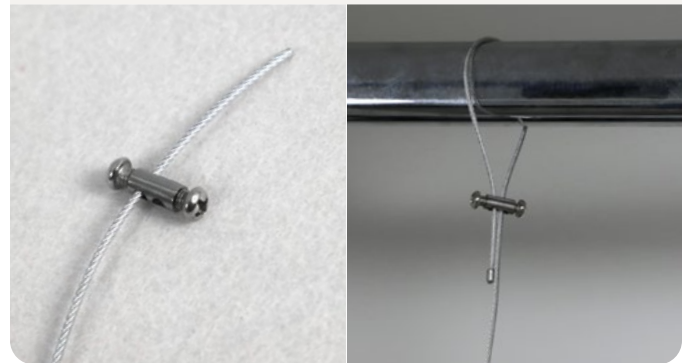
If one or more of your ceiling anchor locations is on a solid backing, such as a joist, you do not need to use the included ceiling anchors. In such a case, use a 3/32" drill bit to make a pilot hole and screw the ceiling anchor cap in directly using the long pan head screw. *Continue to step 5.*



Suspending the clouds from a beam

The kit contains an optional attachment used to create a secure hold when looping the suspension cables around a beam. Please check the maximum weight the beam can hold before suspending panels. Thread the unterminated end of the cable through the first hole in the attachment and pull the full length of cable through.

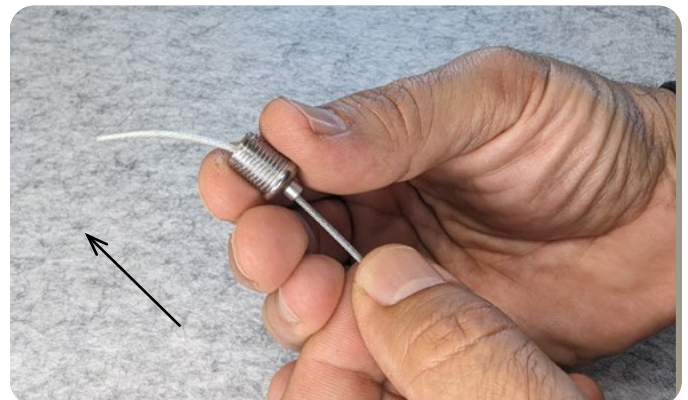
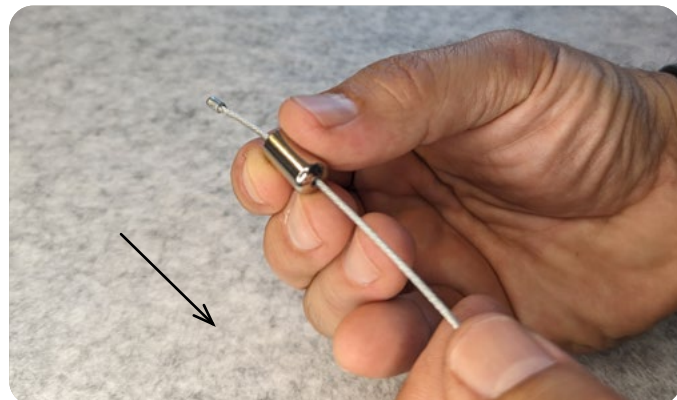
Loop the cable loosely over the beam, then thread the cable back through the second hole in the attachment. Finally pull the cable tight around the beam, and tighten the screws at either end of the attachment. Repeat for the remaining cables. Attach the panels, then suspend and level as shown in steps 6 & 7.



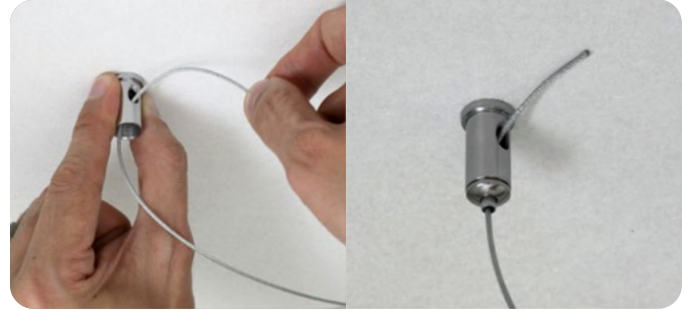
5. Install Ceiling Cable End Caps and Cable

Insert the loose, unterminated cable end, through the bracket cable cap. Slide cap all the way to the terminated end.

Insert the loose, unterminated cable end into the cable toggle cap (approximately 2"), pushing firmly to engage the cable into the anchoring mechanism.



Pass the cable through the slot in the ceiling cap and screw the cable toggle cap into the ceiling cap. You should be able to see the cable protruding through the side.



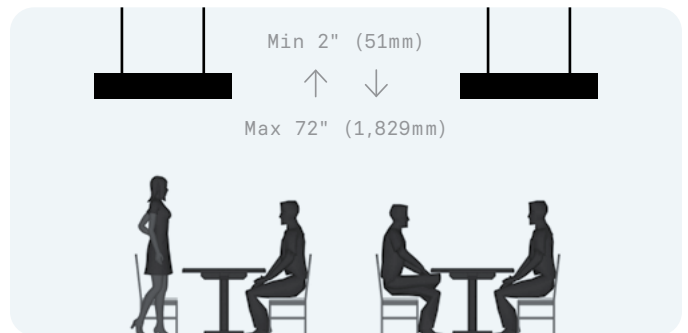
6. Attach Baffle Bracket

Install the bracket cable cap to the bracket using the bracket cable cap screw. Align the bracket holes with the hole made in step 2. Using the screw pins, secure the brackets to the baffle panel.



7. Suspend and Level

With the panel suspended, pull the cable through cable toggle to adjust the panel's distance from the ceiling. Fine-tune the lengths of the cable by pressing on the center sleeve of the cable toggle cap to release the cable. For the best acoustic performance, maintain a minimum of 2" (51mm) between baffle and ceiling. Using cable cutters, cut away any excess cable.



Limited Warranty

Please inspect products immediately after receiving your purchase. Primacoustic acoustic products are guaranteed to be free of manufacturing defects for a period of 3 years after purchase. In the unlikely event that a defect is uncovered, please call 604-942-1001 to obtain a RA number (Return Authorization number) from Primacoustic before the 3 year warranty period expires. Once you have obtained a RA number you must return the product, freight prepaid, within fifteen (15) days after the date the RA number is issued. Please return the product in the original packaging (or another, affording an equal degree of protection) with all of the following: (1) RA number clearly marked on the returned package; (2) a receipt or bill of sale showing proof of purchase from an authorized seller; plus (3) a letter describing the defect. Please include your name, address, telephone number and the applicable RA number. You are solely responsible for all shipping and insurance costs for returning the product to Primacoustic, and you will not be reimbursed or compensated for any loss or damage incurred during return shipping. Primacoustic will at its sole discretion repair or replace the product. Should the product no longer be available, Primacoustic reserves the right to exchange this with a product of similar performance and value. Due to different dye lots, Primacoustic cannot guarantee exact color match. This Warranty shall solely extend to the original owner and is limited to manufacturing defects and excludes damage due to improper installation, freight handling, wear and tear, abuse, misuse, misapplication, color fading or deterioration due to prolonged exposure to ultra violet light, smoke, humidity or other environmental factors. It is understood that the use and suitability of the product is entirely the responsibility of the buyer or specifying engineer and as such, these parties agree to hold Primacoustic, or its associated company, and/or officers, harmless from any responsibility whatsoever other than what is clearly outlined in this warranty.