



PRIMACOUSTIC®

GoTrap™

USER'S MANUAL



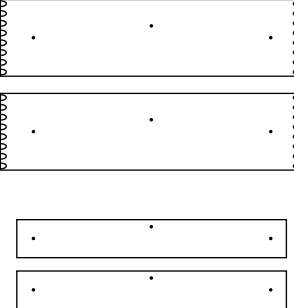
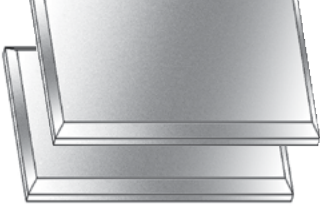







Congratulations on purchasing the Primacoustic GoTrap. The GoTrap is an easy to assemble combination gobo (go between) and bass trap that will effectively block and absorb a wide range of frequencies and look great for years to come. Please take a few minutes to read through this manual. It will give you a list of included parts, as well as step by step assembly instructions. Please refer to www.primacoustic.com for various placement options, benefits, and general room acoustics information. Should you have any questions or comments, we invite you to send us an email to: info@primacoustic.com.

BOX CONTENTS:

Before beginning assembly, please take a moment to familiarize yourself with the box contents.

Ref.# (Qty.) Description:

- | | | |
|--------------------------------------------------------------------------------------------------------------------------------------------------------------------------------------------------------------------------------------------------------------------------------------------------|--------------------------------------------------------------------------------------------------------------------------------------------------------------------------------------------------------------------------------------------------------------|----------------------------------------------------------------------------------------------------------------------------------------------------------------------------------------------------------------------------------------------------------------------------------------------------------------------------------------------------------------------------------------------------------------------------------------------------------------------------------------------------------------------------------------|
| <ul style="list-style-type: none"> ① (2) Sides ② (2) Top and bottom ③ (2) Panel stops ④ (2) Acoustic panels ⑤ (1) Springboard ⑥ (4) Rubber feet ⑦ (4) Small screws ⑧ (6) Medium screws ⑨ (8) Large screws | 

 | 

    |
|--------------------------------------------------------------------------------------------------------------------------------------------------------------------------------------------------------------------------------------------------------------------------------------------------|--------------------------------------------------------------------------------------------------------------------------------------------------------------------------------------------------------------------------------------------------------------|----------------------------------------------------------------------------------------------------------------------------------------------------------------------------------------------------------------------------------------------------------------------------------------------------------------------------------------------------------------------------------------------------------------------------------------------------------------------------------------------------------------------------------------|

TOOLS REQUIRED

- Phillips #2 screw driver
- Hammer or mallet
- Wood glue
- Drop cloth



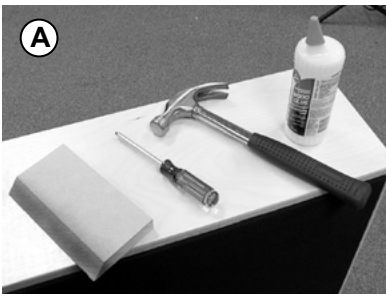
SPECIFICATIONS

FRAME MATERIAL	Baltic birch plywood with natural finish
CORE MATERIAL	Formed, 2" thick semi rigid inorganic glass fibers; Density = 6.0 lbs. (2.72kg/m ³) per cubic foot
FABRIC FACING	Acoustically transparent polyester; Color code: Black=00, Beige=03, Grey=08
DIMENSIONS	36" x 24.25" x 9.2" (914mm x 616mm x 234mm)

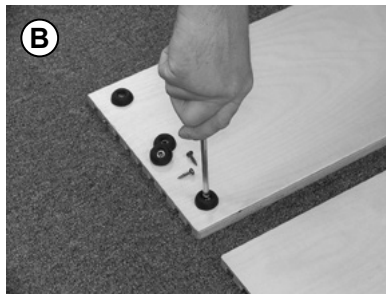
WARRANTY

Please inspect products immediately after receiving your purchase. Primacoustic acoustic products are guaranteed to be free of manufacturing defects for a period of 3 years after purchase. In the unlikely event that a defect is uncovered, please call 604-942-1001 to obtain a RA number (Return Authorization number) from Primacoustic before the 3 year warranty period expires. Once you have obtained a RA number you must return the product, freight prepaid, within fifteen (15) days after the date the RA number is issued. Please return the product in the original packaging (or another, affording an equal degree of protection) with all of the following: (1) RA number clearly marked on the returned package; (2) a receipt or bill of sale showing proof of purchase from an authorized seller; plus (3) a letter describing the defect. Please include your name, address, telephone number and the applicable RA number. You are solely responsible for all shipping and insurance costs for returning the product to Primacoustic, and you will not be reimbursed or compensated for any loss or damage incurred during return shipping. Primacoustic will at its sole discretion repair or replace the product. Should the product no longer be available, Primacoustic reserves the right to exchange this with a product of similar performance and value. Due to different dye lots, Primacoustic cannot guarantee exact color match. This Warranty shall solely extend to the original owner and is limited to manufacturing defects and excludes damage due to improper installation, freight handling, wear and tear, abuse, misuse, misapplication, color fading or deterioration due to prolonged exposure to ultra violet light, smoke, humidity or other environmental factors. It is understood that the use and suitability of the product is entirely the responsibility of the buyer or specifying engineer and as such, these parties agree to hold Primacoustic, or its associated company, and/or officers, harmless from any responsibility whatsoever other than what is clearly outlined in this warranty.

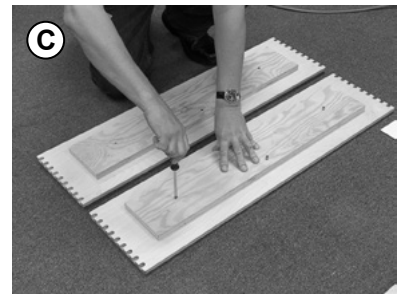




Collect your tools and materials. You will need a piece of scrap wood to protect the finish when tapping the parts together. When working with glue, it's a good idea to lay down a drop cloth or use the shipping box to protect the floor.



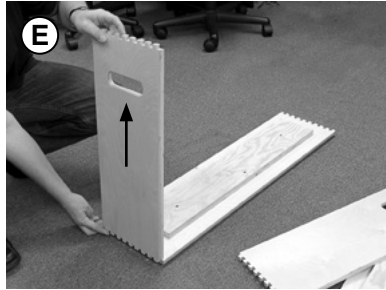
There are four pre-drilled holes in the bottom piece [2]. Install the four rubber feet [6] into the bottom piece using the small screws [7].



Attach the panel stops [3] to the top and bottom pieces [2]. Drive three medium screws [8] into the pre-drilled holes in the top and bottom. These will be used to hold the springboard and position the acoustic panels.



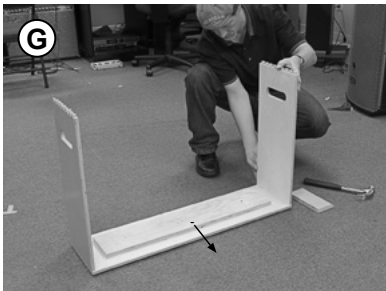
You are now ready to glue the first section of the GoTrap together. A few drops of wood glue in the dovetail joints is all you need. Use a drop cloth to prevent excess glue from making a mess.



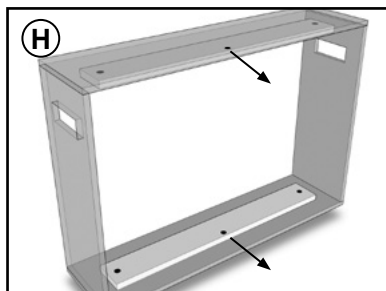
With the handle position at the top, fit one of the sides [1] into the bottom section [2]. Note: the dovetail joints can only fit one way. Line up the dovetails and push the sections together.



Using a piece of scrap wood, tap the joint together with a hammer until flush. The scrap wood will protect the finish from tool marks. Wipe away excess glue that is forced out of the joints.



Attach the other side [1] following the same procedure. Note which edge the bottom center screw is facing. The top center screw must match and face the same edge.



You are now ready to add the top [2]. Confirm the orientation of both center screws is correct as shown above. The center screws must face the same edge on the top and bottom pieces.



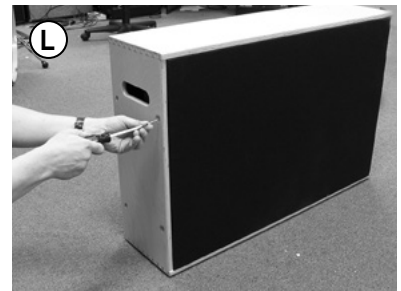
Add glue to the joints and tap flush. Follow the glue manufacturer's instructions for dry times.



Notice in step H, the center screws are closer to one edge. Insert the springboard [5] on this same edge. Fitting the springboard will help square-up the frame.



Before final assembly, the glue should dry completely. Temporarily install the acoustic panels to ensure the frame is square as it dries. Do not remove the protective plastic. It will prevent excess glue from sticking to the fabric.



When dry, remove the protective plastic and re-insert panels. Secure the panels in place with the eight large screws [9] using the pre-drilled holes in the sides.