



Installation Manual **ECOSCAPES** **Acoustic Wall Panels**



Congratulations on purchasing your new EcoScapes Wall Panels from Primacoustic. EcoScapes high performance PET Acoustic Panels are designed to absorb ambient noise and control excess reverberation and echo. Please take a few minutes to read this installation manual before beginning, to familiarize yourself with the various installation options and the tools required.

Please refer to www.primacoustic.com for general room acoustics information and further details. Should you have any questions or comments, we invite you to send an email to info@primacoustic.com.



Installation Instructions

Wall Preparation

Before beginning the installation process, ensure that the surface is clean (free of any dust, flaking paint, loose debris or grime), structurally sound, dry and free of imperfections.

Cutting the Panels

Tools & materials required:

- Utility Knife
- Straight Edge Guide
- or Circular Saw/
Band Saw
- Measuring Tape



Your installation may require you to cut the panels to fit them around outlets, vents, pipes or other obstacles.

When cutting and fitting panels, consider which areas of the surface will contain the cut portions and try to apply the products as symmetrically as possible. It may help to measure and mark the space beforehand.

EcoScapes panels can be easily cut using a sharp utility knife and a straight edge guide.

1. Measure the size of panel to be cut.
2. Mark your cut lines using the straight edge and pencil.
3. Set the straight edge guide over the line and cut the panel with the utility knife as square as possible.
4. This may need to be done in multiple passes.
5. EcoScapes panels can also be cut using a circular saw with a fine tooth blade (90+) or a band saw.



Installing using Adhesives

Tools & materials required:

- Clean Gloves
- Measuring Tape
- Ladder/Scaffolding
- J-Roller
- Caulking Gun
- Construction Adhesive (for permanent installation)
- *or* Silicone Adhesive (for semi-permanent installation)
- *or* Spray Adhesive (eg 3M Super 77)

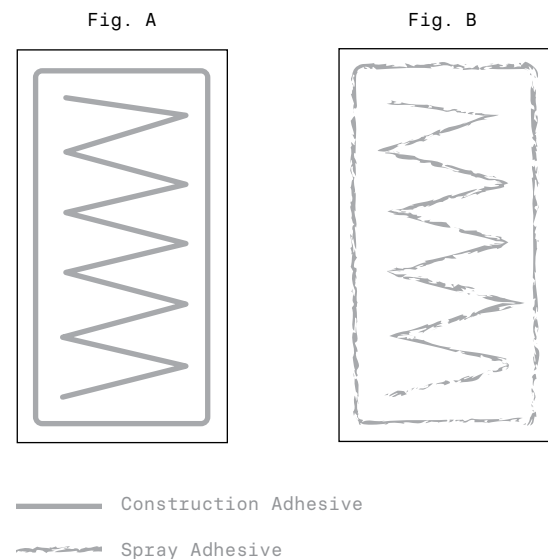
Preparation

We advise planning out the panel locations on paper/software against architectural plans before beginning the physical installation.

After preparing the surface for installation (see *previous page*), dry fit (without adhesive) the panels. Measure the panels against the surface and ensure they are straight and line up.

Method 1. Applying construction adhesive (permanent)

Using the caulking gun, apply the construction adhesive around the inner edge of the EcoScapes panel. To avoid adhesive flowing through the joints when the panels are installed, apply the adhesive two finger widths away from the corner/ join, then apply adhesive in a zig zag pattern across the centre of the panel, (see *figure A*).



Method 2. Applying silicone adhesive (semi-permanent)

Using the caulking gun, apply the silicone adhesive around the inner edge of the EcoScapes panel. To avoid adhesive flowing through the joints when the panels are installed, apply the adhesive two finger widths away from the corner/ join, then apply adhesive in a zig zag pattern across the centre of the panel, (see *figure A*).

Method 3. Applying spray adhesive

Apply the spray adhesive around the inner edge of the panel, 2-4" (50-100mm) widths away from the panel perimeter (see *figure B*). Wait 5-10 minutes for the adhesive to become tacky before installing the panels.

Whichever adhesive you choose, the following steps will apply for mounting:

1. Slowly press the underside of the panel onto the surface while keeping the panel as level as possible.
2. Using the J-roller, press all areas of the panel against the surface, firmly and with even pressure. This will create a tight bond. If required, hold the panels in place for a few minutes using poles or scaffolding.

3. Wipe away any excess adhesive from around the edges of the panel before mounting the next panel. Try to avoid any adhesive making contact with the face of the panels.

When mounting adjoining panels directly against one another, press the panels together with a little pressure to ensure a tight seam. Otherwise we recommend leaving a space between panels.

4. If necessary, trim off any excess material around joins, pipes, sockets etc.

Installing Around Corners & Bends

Tools & materials required:

- Utility Knife/Cutting Tool
- Measuring Tape/Straight Edge Guide

Outside Corners

1. Measure the corner of the wall/column to ensure the panels will fit seamlessly. Account for the extra 1.6" (41mm) panel surface area needed when bending around a corner (see figure C).
2. Mark a line on the back of the panel where it will meet the corner. Mark parallel lines 0.8" (20.5mm) from either side of this centre line (see figure D).
3. On the edge of the panel, mark out a 'v', with the tip stopping 0.08" (2mm) from the front edge of the panel (see figure D).
4. Use a utility knife or cutting tool to gently cut the v-groove and remove material.
5. Bend panel (see figure E) and fix to wall using your desired mounting method (see figure C).

Fig. C

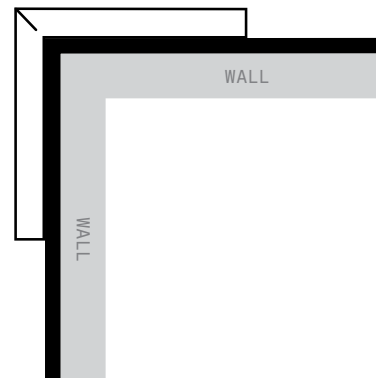


Fig. D

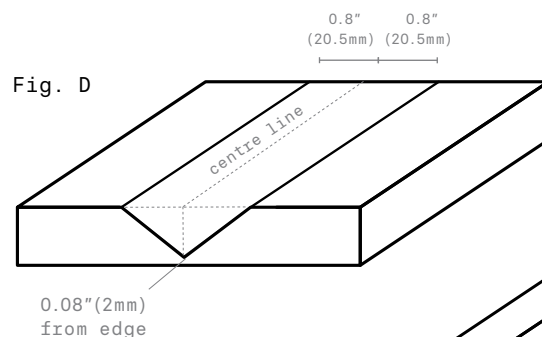
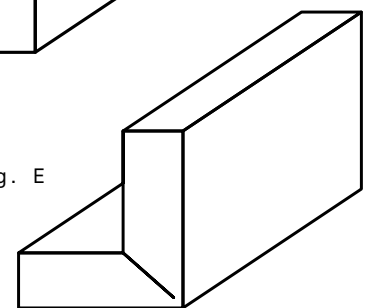


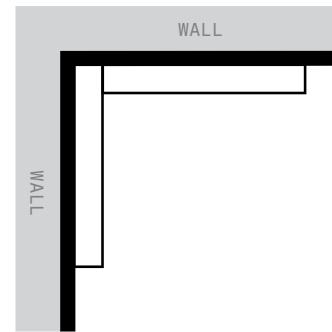
Fig. E



Inside Corners

1. Measure the corner of the wall/column to ensure the panels will fit seamlessly. Account for the panel's 1" (24mm) thickness (see *figure F*).
2. Cut the material using a straight edge guide and utility knife.
3. Fix the panels to the wall using your desired mounting method (see *figure F*). Work from the corner outwards so the panels fit perfectly.

Fig. F



Limited Warranty

Please inspect products immediately after receiving your purchase. Primacoustic acoustic products are guaranteed to be free of manufacturing defects for a period of 3 years after purchase. In the unlikely event that a defect is uncovered, please call 604-942-1001 to obtain a RA number (Return Authorization number) from Primacoustic before the 3 year warranty period expires. Once you have obtained a RA number you must return the product, freight prepaid, within fifteen (15) days after the date the RA number is issued. Please return the product in the original packaging (or another, affording an equal degree of protection) with all of the following: (1) RA number clearly marked on the returned package; (2) a receipt or bill of sale showing proof of purchase from an authorized seller; plus (3) a letter describing the defect. Please include your name, address, telephone number and the applicable RA number. You are solely responsible for all shipping and insurance costs for returning the product to Primacoustic, and you will not be reimbursed or compensated for any loss or damage incurred during return shipping. Primacoustic will at its sole discretion repair or replace the product. Should the product no longer be available, Primacoustic reserves the right to exchange this with a product of similar performance and value. Due to different dye lots, Primacoustic cannot guarantee exact color match. This Warranty shall solely extend to the original owner and is limited to manufacturing defects and excludes damage due to improper installation, freight handling, wear and tear, abuse, misuse, misapplication, color fading or deterioration due to prolonged exposure to ultra violet light, smoke, humidity or other environmental factors. It is understood that the use and suitability of the product is entirely the responsibility of the buyer or specifying engineer and as such, these parties agree to hold Primacoustic, or its associated company, and/or officers, harmless from any responsibility whatsoever other than what is clearly outlined in this warranty.