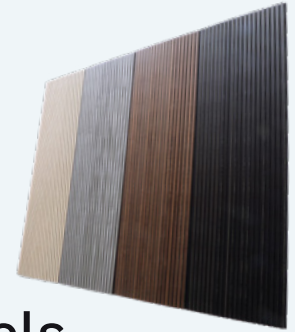




Installation Manual

ECOSCAPES Slat Wall

Wood Veneer Finish PET Acoustic Panels



Congratulations on purchasing your new EcoScapes Slat Wall panels from Primacoustic. These high performance PET Acoustic Panels will absorb ambient noise and control excess reverberation and echo. The stylish slat wall design also helps diffuse sound energy, giving the room a sense of air and space.

Please take a few minutes to read this installation manual before beginning, to familiarize yourself with the various installation options and the tools required.

Please refer to www.primacoustic.com for general room acoustics information and further details. Should you have any questions or comments, we invite you to send an email to info@primacoustic.com.



Installation Instructions

Box Contents:

2x

Slat Wall Panels

31.7" x 98.4" x 0.8"

(806mm x 2,500mm x 21mm)



CAUTION: The wood slats are precision cut, which may leave sharp edges. Gloves are highly recommended during installation.

Fire Rating

The acoustic felt backing carries a class A/1 fire rating following certification ASTM E84.0

Wall Preparation

Before beginning the installation process, ensure that the surface is clean (free of any dust, flaking paint, loose debris or grime), structurally sound, dry and free of imperfections.

Care & Maintenance

Start by removing the protective film over the slats pieces. We recommend adding a protective finish to the panels if possible. Something like wood oil is perfect as it protects and keeps the natural look and feel of the wood. Once this is applied, light dusting or vacuuming will prevent any dust build-up. If you choose to keep the panels without a finish, then a dry cloth is suitable for wiping the panels down.

Cutting the Panels

Tools & materials required:

- Utility Knife
- *or* Circular Saw/
Band Saw
- Straight Edge Guide
- Measuring Tape
- Braid Nails/Staples
(if required)

Your installation may require you to cut the panels to fit them around outlets, vents, pipes or other obstacles.

When cutting and fitting panels, consider which areas of the surface will contain the cut portions and try to apply the products as symmetrically as possible. It may help to measure and mark the space beforehand.

We recommend a sharp fine tooth saw or oscillating cutting tool to cut through the slats and felt widthways. A utility knife can be used to cut through the felt lengthways.

Once you've cut a section away from of a panel, you may find you need to reinforce the connection between the PET panel and the wooden slats. We recommend braid nails or staples for this.

How To Install EcoScapes Slat Wall

There are three different options for installing EcoScapes Slat Wall:

Tools & materials required:

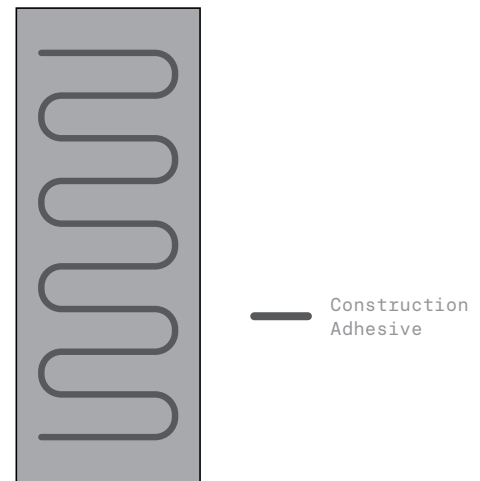
- Clean Gloves
- Measuring Tape
- Ladder/Scaffolding
- Caulking Gun
- Construction Adhesive
(for permanent installation)
- *or* Silicone Adhesive
(for semi-permanent installation)
- Drill/Screwdriver
- DryWall Screws
- Anchors
(for ceiling installation)

Method 1. Gluing straight onto the wall:

We recommend using a construction adhesive for a permanent installation or silicone adhesive for a semi-permanent installation.

1. Clean and prepare the wall surface (see page 1).
2. Spread the adhesive on the reverse of the panel (see Figure A), leaving 2" (51mm) space around the edges.

Fig. A



3. Adhere the panel to the wall, making sure the panel's weight is supported while the adhesive dries (refer to the adhesive's instructions for timing). We recommend using a few drywall screws in addition to the adhesive, to hold the panel in place during drying.

If installing onto ceilings, fasten the panel into the ceiling joists with drywall screws in addition to the adhesive.

Method 2. Screwing the panels directly onto the wall:

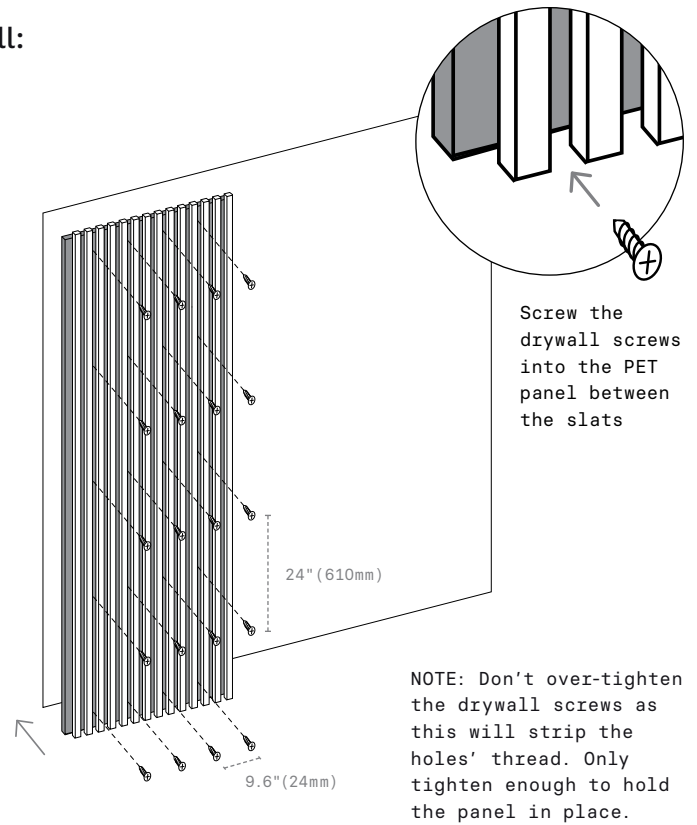
Tools & materials required:

- Measuring Tape
- Ladder/Scaffolding
- Drill/Screwdriver
- DryWall Screws
- 1x2 Timber Strips (if required)
- Anchors (for ceiling/plasterboard installation)

Using black drywall screws, fasten the panel directly onto the wall through the black PET panel backing. We recommend a minimum of 20 screws per panel at approximately 9.6" (24mm) intervals across the width and 24" (610mm) intervals down the length of the panel.

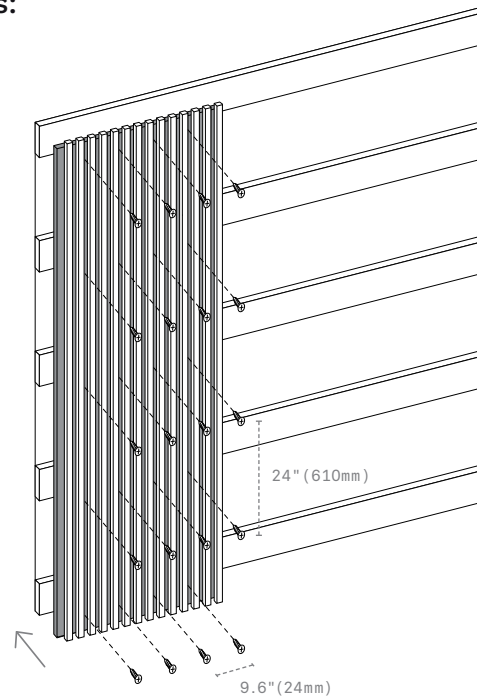
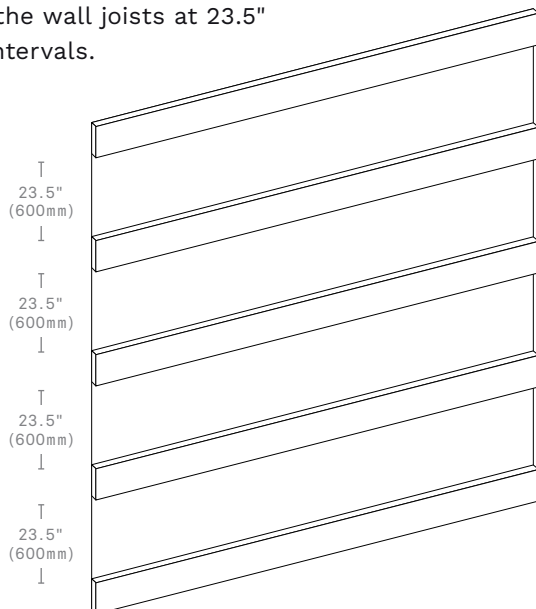
Please make sure to use appropriate anchors if screwing into plasterboard.

If installing onto ceilings, fasten the screws directly into the ceiling joists, or (for hollow ceilings) using appropriate anchors.



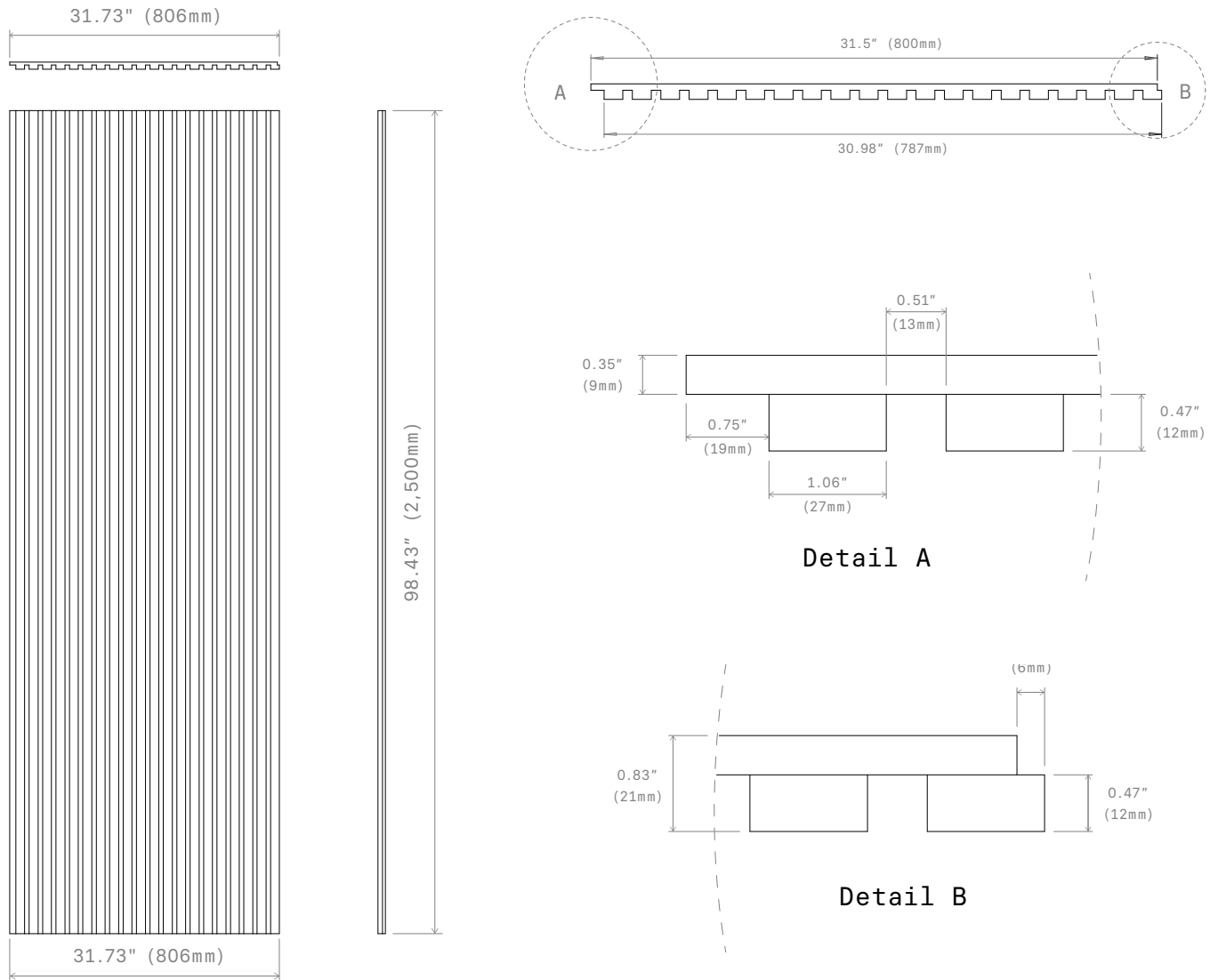
Method 3. Screwing the panels into 2" wide furring strips:

This method leaves an air gap behind the panel, providing additional bass absorption. We recommend installing 1x2 timber furring strips to the wall, fastening them into the wall joists at 23.5" (600mm) intervals.



The panels can then be screwed directly into the strips through the PET Panel, as per method 2.

Schematic



Limited Warranty

Please inspect products immediately after receiving your purchase. Primacoustic acoustic products are guaranteed to be free of manufacturing defects for a period of 3 years after purchase. In the unlikely event that a defect is uncovered, please call 604-942-1001 to obtain a RA number (Return Authorization number) from Primacoustic before the 3 year warranty period expires. Once you have obtained a RA number you must return the product, freight prepaid, within fifteen (15) days after the date the RA number is issued. Please return the product in the original packaging (or another, affording an equal degree of protection) with all of the following: (1) RA number clearly marked on the returned package; (2) a receipt or bill of sale showing proof of purchase from an authorized seller; plus (3) a letter describing the defect. Please include your name, address, telephone number and the applicable RA number. You are solely responsible for all shipping and insurance costs for returning the product to Primacoustic, and you will not be reimbursed or compensated for any loss or damage incurred during return shipping. Primacoustic will at its sole discretion repair or replace the product. Should the product no longer be available, Primacoustic reserves the right to exchange this with a product of similar performance and value. Due to different dye lots, Primacoustic cannot guarantee exact color match. This Warranty shall solely extend to the original owner and is limited to manufacturing defects and excludes damage due to improper installation, freight handling, wear and tear, abuse, misuse, misapplication, color fading or deterioration due to prolonged exposure to ultra violet light, smoke, humidity or other environmental factors. It is understood that the use and suitability of the product is entirely the responsibility of the buyer or specifying engineer and as such, these parties agree to hold Primacoustic, or its associated company, and/or officers, harmless from any responsibility whatsoever other than what is clearly outlined in this warranty.