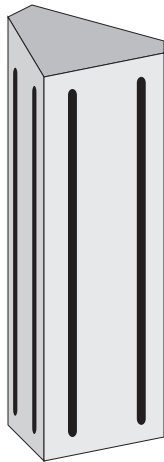
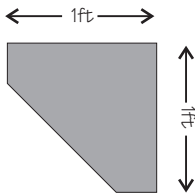
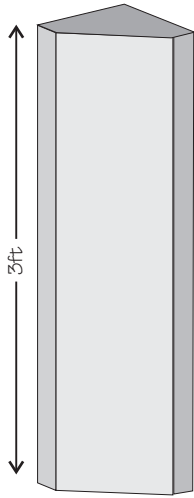


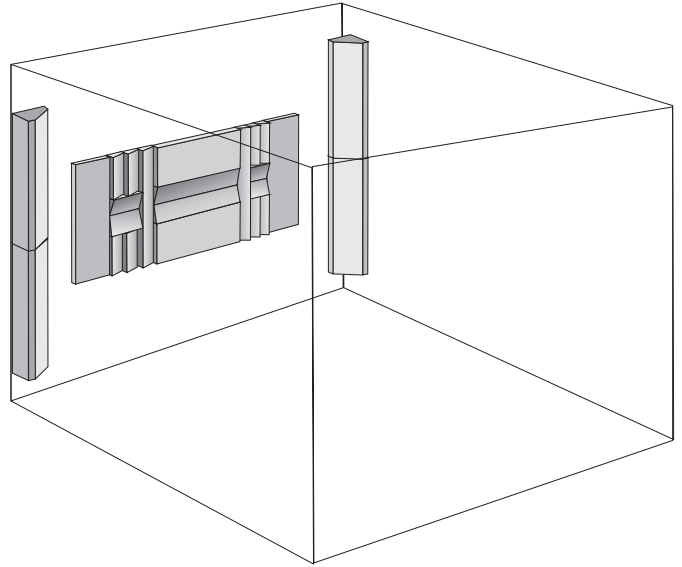
## Australis Corner Trap



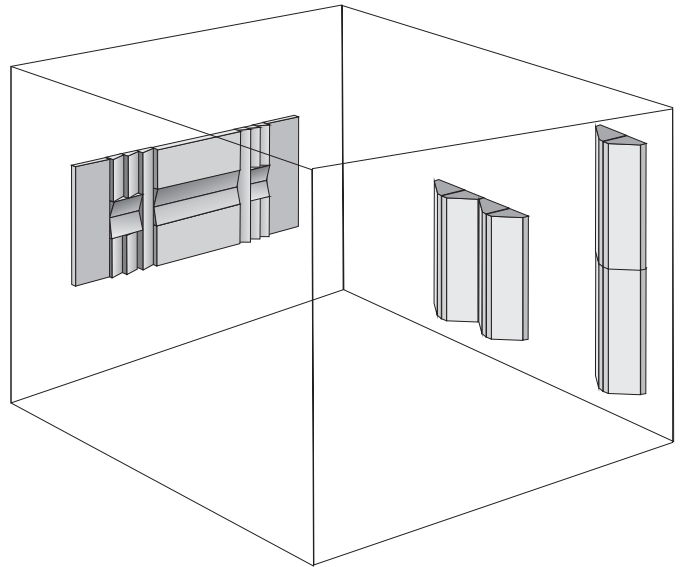
Adhesive should be spread on both sides of the Australis. You may consider using a small piece of corner bead to hold the bass trap while glue is drying.

Australis is shown placed in corner. This is a popular location for bass traps as it is often 'unused' space.

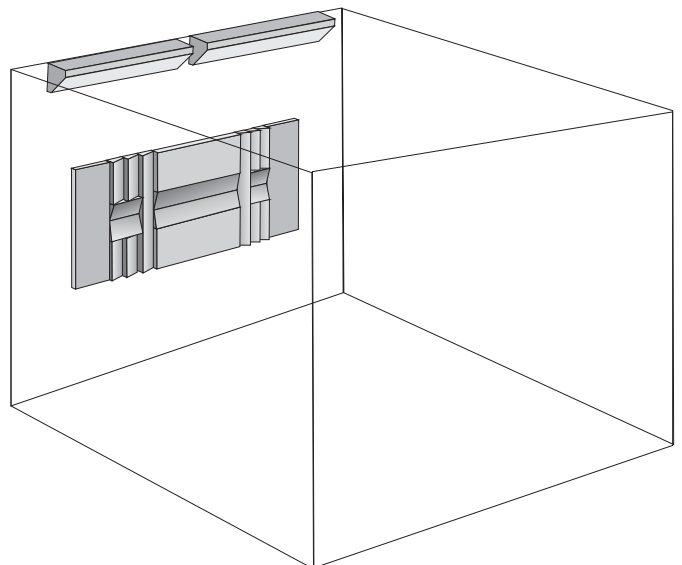
Corners are also very good to absorb bass as the walls tend to guide sound into corners.



Installing Australis at the seam between the ceiling and the wall is a good idea in that it is often an unused area.



Australis may be stacked or combined to create larger bass traps, lowering the absorption response, thus removing very low bass.



# PRIMACOUSTIC

S T U D I O A C O U S T I C S

*When opening, do not cut a deep hole as this could damage the panels.*

**This package contains:**

- Polyurethane acoustical panels
- Liquid Nails Adhesive
- Installation manual
- Product Brochure

**Do not expose to water**  
**Do not expose to flame**

**Manufactured by Primacoustic (Division of JP CableTek Electronics Ltd.)**  
**1638 Kebet Way, Port Coquitlam BC V3C 5W9    [www.primacoustic.com](http://www.primacoustic.com)**  
**HS Tariff 3921.13.5000**

## WARNING

This product from Primacoustic is made from polyurethane foam  
**POLYURETHANE FOAM IS FLAMMABLE**

Thickness	Flame Spread	Smoke Development	ASTM E-84 Class
2"	<75	340	2
3"	<75	380	2

The Federal Trade Commission considers that there are no existing testing methods or standards regarding flammability that are accurate indicators of the performance of cellular plastic material under actual fire conditions. Any results of existing test methods, such as ASTM D-1692, ASTM E-984 and UL 94, are intended only as measurements of performance of such materials under specific controlled test conditions. The terminology associated with the tests or standards, such as "non-burning", "self-extinguishing" or "non-combustible" is not intended to reflect properties of such products under actual fire conditions.

The end user/specifier is responsible for determining suitability for this material with respect of its intended use. The material should only be used in sprinkled rooms meeting the applicable fire protection codes.

IMPROPER HANDLING DURING STORAGE, INSTALLATION AND/OR USE PRESENTS RISKS OF FIRE AND RESULTING RISKS FROM SMOKE AND TOXIC GASES, INCLUDING SUFFOCATION AND DEATH.

ANY LOSSES RESULTING FROM THE USE OF THIS PRODUCT IS STRICTLY THE RESPONSIBILITY OF THE END USER OR THE SPECIFYING COMPANY, AND NOT Primacoustic.